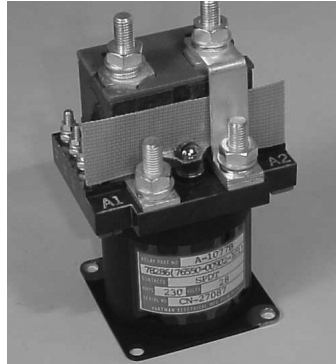


A1077 Series, Rated up to 230 Amps, 28 Vdc

Product Facts

- Gasket Sealed
- Auxiliary contacts available
- Meets many requirements of MIL-PRF-6106



Performance Data

Electrical Characteristics

Contact Arrangement — SPST NO, Double Break or SPDT Double Break

Rated Operating Voltage — 28 Vdc

Resistive Rating — 230 Amps

Inrush Rating — 600 Amps

General Characteristics

Temperature Range — -55°C to +71°C

Operating Cycles (Life) at Rated Resistive Load, Min. — 50,000 cycles

Operating Cycles (Life) Mechanical, Min. — 100,000 cycles

Dielectric Strength — All Circuits to Ground — 1,250 Vrms
Circuit to Circuit — 1,250 Vrms
Coil to Ground and Aux. Contacts — 1,000 Vrms

Weight — 1.90 lbs

Coil Characteristics

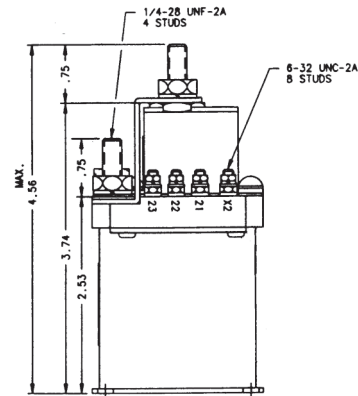
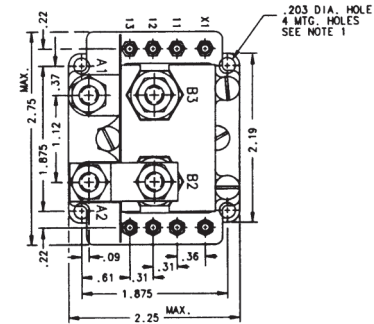
Duty Cycle — Continuous

Operating Voltage, Max. — 30 Vdc

Operating Voltage, Nom. — 24 Vdc

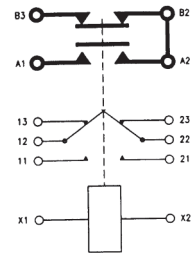
Pickup Voltage @ 25°C, Max. — 16.5 Vdc

Dropout Voltage — 0.5 to 7 Vdc



Mounting Style A

Circuit Configurations (Consult factory for other available circuit configurations)



Circuit Configuration 1

For factory-direct application assistance, phone 419-521-9500 or fax 419-526-2749.

HARTMAN Part Number	Construction Type	Mounting Style	Coil Type	Circuit Config.	TE Part Number
A-1077B	Gasket Sealed	A	Continuous	1	1616081-1